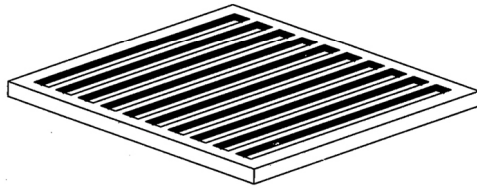
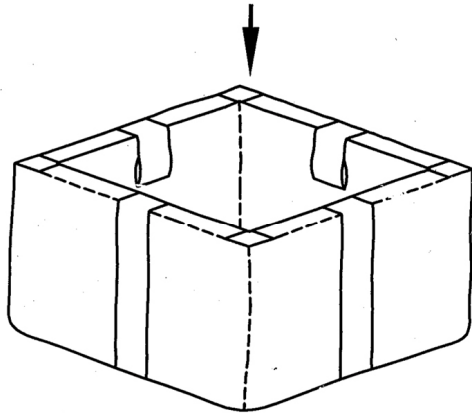


FRYE FLOW SYSTEMS CATCH BASIN SEDIMENT CONTROL ASSEMBLY



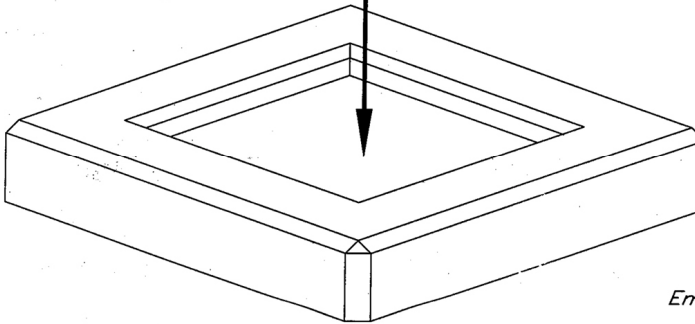
Installation

1. Remove Grate
2. Install bag
*Bag rests on lip of casting
3. Reinstall grate



Maintenance

1. Remove grate
2. Bag can be cleaned several ways
 - a) Pick up bag and dump it
 - b) Shoveling debris out of bag
 - c) Vac-Unit
3. Shake loose debris out of bag or rinse with water
4. Reinstall bag
5. Reinstall grate



For Structures:



Available from:
FryeFlow Systems
P.O. Box 622
Granville, OH 43023
Ph. 740-788-9150
Fax 740-788-9185
Email: mike@fryeflowsystems.com