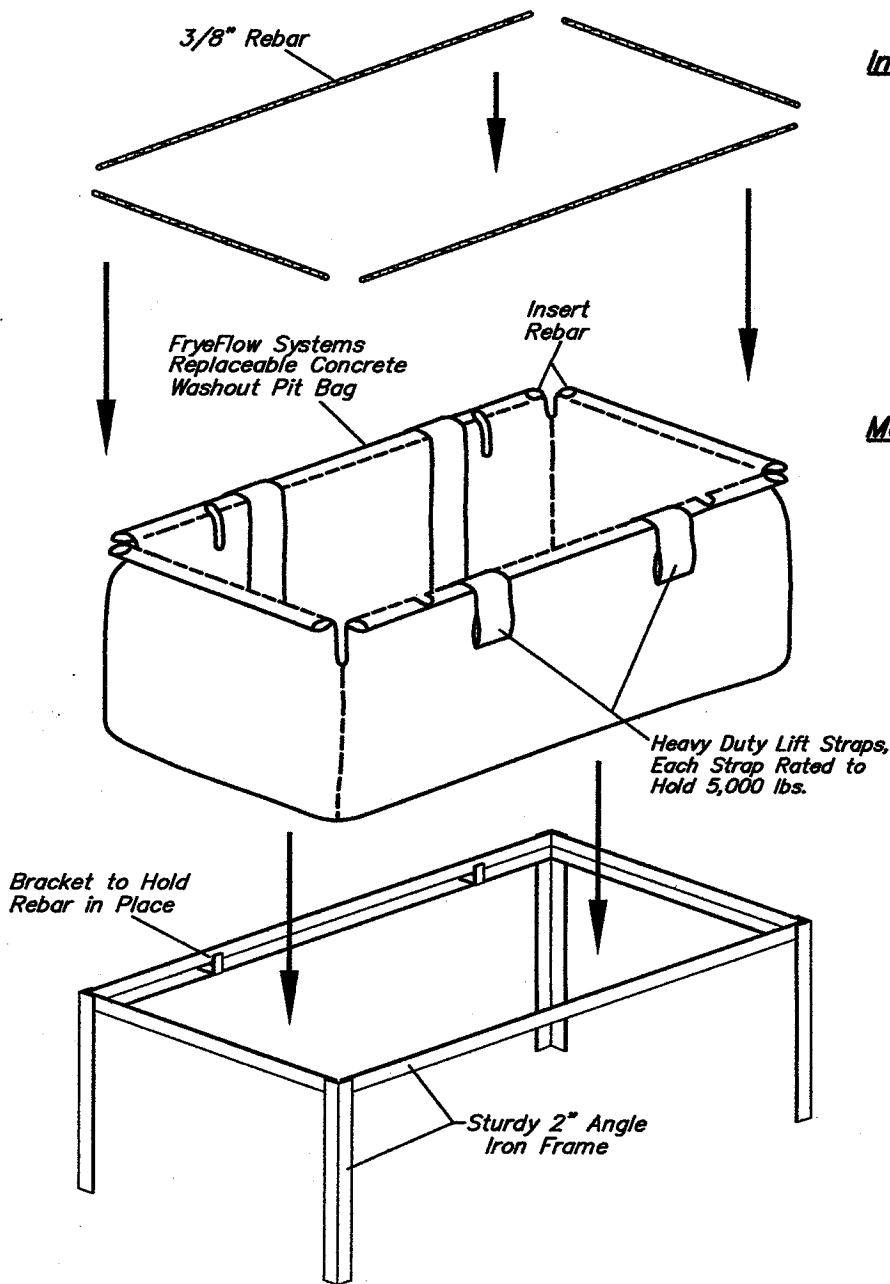


FRYEFLOW SYSTEMS CONCRETE WASHOUT PIT ASSEMBLY



Installation

1. Insert Rebar in to Pockets of Debris Bag
2. Install FryeFlow Systems Debris Bag in to Angle Iron Frame
3. Make sure Angle Iron sets behind rebar brackets
4. Make sure Frame and Bag is set on Flat Surface

Maintenance

1. Once Debris Bag is full, use handles provided to lift out of frame.
2. Remove Rebar from side pouches
3. Insert new FryeFlow Systems Debris Bag
4. Properly dispose of used bag of concrete waste

*Available in sizes:
2'x6', 3'x6' & 4'x6'

Available from:
FryeFlow Systems
P.O. Box 622
Granville, OH 43023
Ph. 740-788-9150
Fax 740-788-9185
Email: mike@fryeflowsystems.com